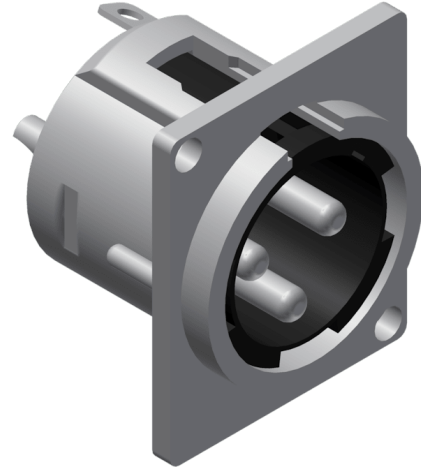


Product information:

Chassis shape: D-shape Chassis material: Metal (die-cast)



Product Features:

Application	AV & IT
	Rental & MI
Series	Bulk & Accessories

Variants:

- VC3MDL - Connector
- VC3MDL-P - Connector 50 pcs box